

Engine	Yanmar 4NV98T-ZNLYS
Gross Power	61.6 kW (82.6 hp) @ 2,400 rpm
Net Power	57.3 kW (76.8 hp) @ 2,400 rpm
Breakout Force	25 kN
Rated Load	1,045 kg
Bucket Capacity	0.5 m <sup>3</sup>
Operating Weight	3,500 kg

# 385A SKID STEER LOADER



TOUGH WORLD. TOUGH EQUIPMENT.

# 385A SPECIFICATIONS >>>

## ENGINE

Emission Regulation	Tier 3 / Stage IIIA
Make	Yanmar
Model	4NV98T-ZNLYS
Gross Power	61.3 kW (82.6 hp) @ 2,400 rpm
Net Power	57.3 kW (76.8 hp) @ 2,400 rpm
Peak Torque	293 N • m @ 1,550 rpm
Number of Cylinders	4
Displacement	3.3 L
Cooling Type	water

## ELECTRICAL SYSTEM

System Voltage	12 V
Alternator Output	80 amps

## CHAIN TANK

Drive Chain Size	100 HS
------------------	--------

## TIRES

Ply Type	pneumatic
Tire Size	12 - 16.5
Ply Rating	10

## HYDRAULIC SYSTEM

System Type	open	
Standard Flow	84.3 L/min	
Optional High Flow	122 L/min	
Traveling Hydrostatic Pressure	32 MPa	
Working Hydrostatic Pressure	20.7 MPa	
Hydraulic Cycle Time, total	8.7 s	
Raise	Dump	Lower (float down)
4.1 s	2.4 s	2.2 s

## OPERATING WEIGHT

Operating Weight	3,500 kg
------------------	----------

## PERFORMANCE

Static Tipping Load	2,090 kg
Rated Load	1,045 kg
Boom Breakout Force	22 kN
Bucket Breakout Force	25.5 kN
Dump Clearance at Full Height Discharge	2,425 mm
Dump Reach at Full Height Discharge	560 mm
Maximum Dump Angle at Full Height	39°
Maximum Hinge Pin Height	3,105 mm
Bucket Rollback at Ground Level	30°
Ground Clearance	210 mm
Angle of Departure	27°
Front Clearance Radius	2,000 mm

## SERVICE CAPACITIES

Fuel Tank	80 L
Engine Oil	10.4 L
Cooling System	20 L
Hydraulic Reservoir	56 L
Hydraulic System Total	60 L
Chain Tanks, Each	12 L

## OPTIONAL ATTACHMENTS

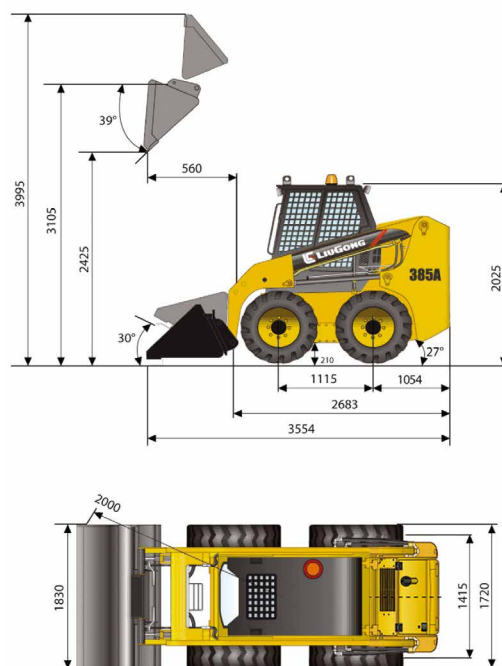
4 in 1 Bucket – 0.4 m <sup>3</sup>	Lift Boom
Rocket Bucket – 0.4 m <sup>3</sup>	Auger
Scrap Bucket – 350 mm to 650 mm	Snow Blade
Hydraulic Hammer	Pick - up Sweeper
Fork	Hydraulic Shear
Trencher	

## STANDARD EQUIPMENT

General Bucket - 0.5 m <sup>3</sup>
Control Safety Interlock
Boom Interlock
Quick Coupler
Enclosed ROPS / FOPS Cab with AC
Auxiliary High Flow – 122 L/min

## OPTIONAL EQUIPMENT

Open ROPS / FOPS Cab
Flow Standard – 84.3 L/min
Solid Tire
Tire Chains



Unit: mm